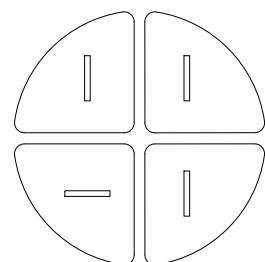
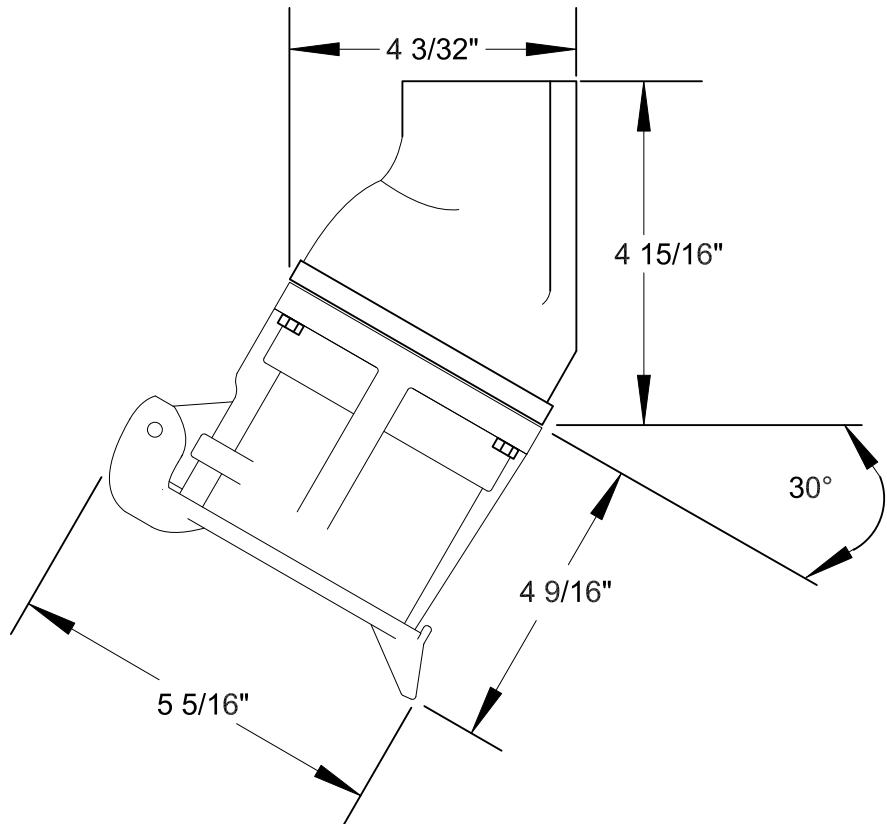
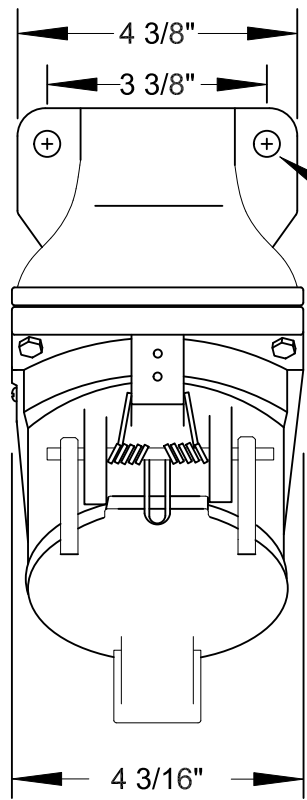


# QUELARC<sup>®</sup> 60 AMP 600 VAC

|                   |
|-------------------|
| 3 POLE 4 WIRE     |
| PRESSURE CONTACTS |
| 1 1/4" NPT        |



RECEPTACLE FACE  
DRAWING NOT TO SCALE

To order contact:  
HILLCREST ENTERPRISES, INC.  
11092 AIR PARK ROAD  
ASHLAND, VA 23005 USA

Phone: 804-798-8390  
Fax: 804-752-7830

<http://www.pylenational.co>  
<http://www.plugs.cc>

|                 |      |                       |         |        |
|-----------------|------|-----------------------|---------|--------|
| DRAWN BY        | NVS  | HILLCREST ENTERPRISES |         |        |
| APPROVED        | 4/14 | <b>JRCBB-46046-PR</b> |         |        |
| ISSUED          |      |                       |         |        |
| RECORD OF ISSUE |      | SCALE                 | DRG No. | SHEET  |
|                 |      |                       |         | 1 OF 1 |