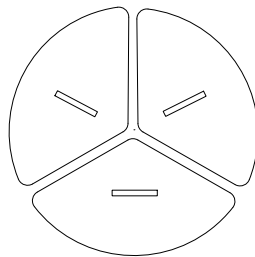
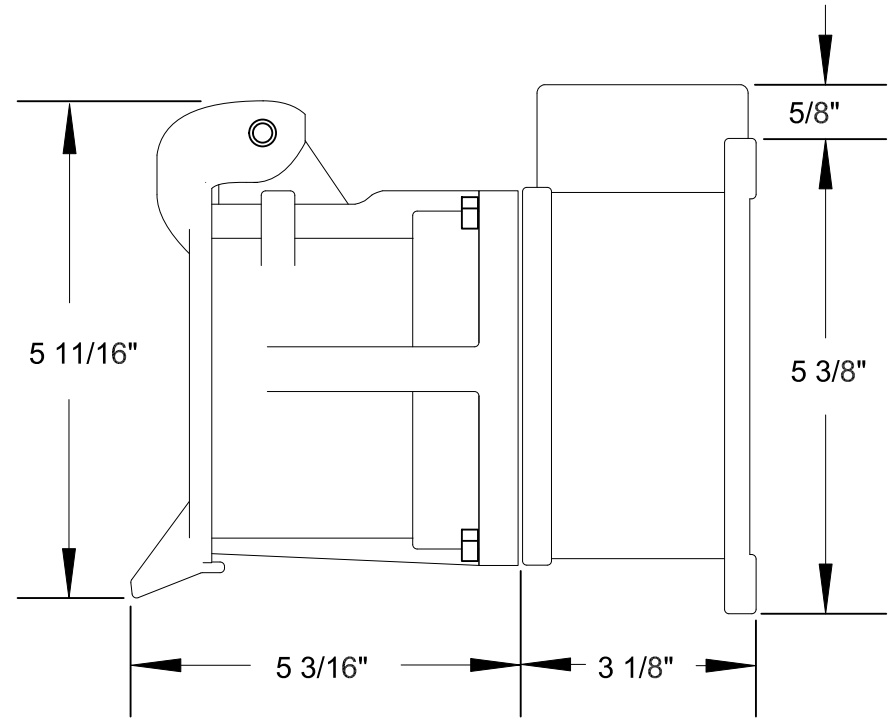
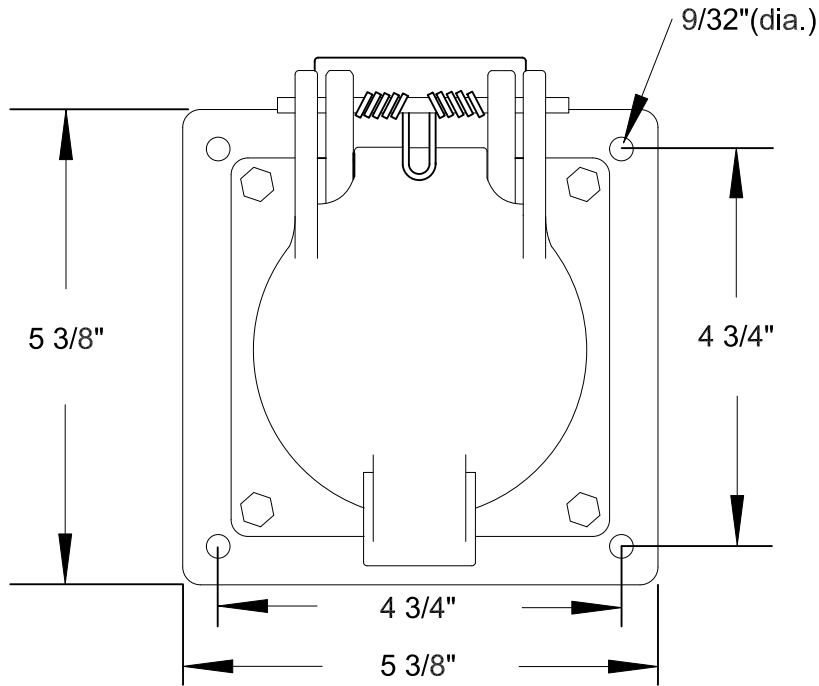


QUELARC[®] 100 AMP 600 VAC

2 POLE 3 WIRE
SOLDER CONTACTS
2" NPT



RECEPTACLE FACE

DRAWING NOT TO SCALE

To order contact:
HILLCREST ENTERPRISES, INC.
 11092 AIR PARK ROAD
 ASHLAND, VA 23005 USA

Phone: 804-798-8390
 Fax: 804-752-7830

<http://www.pylenational.co>
<http://www.plugs.cc>

DRAWN BY NVS



APPROVED 4/14

JRCA-610036

ISSUED

RECORD OF ISSUE

SCALE

DRG No.

SHEET

1 OF 1