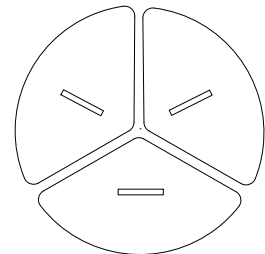
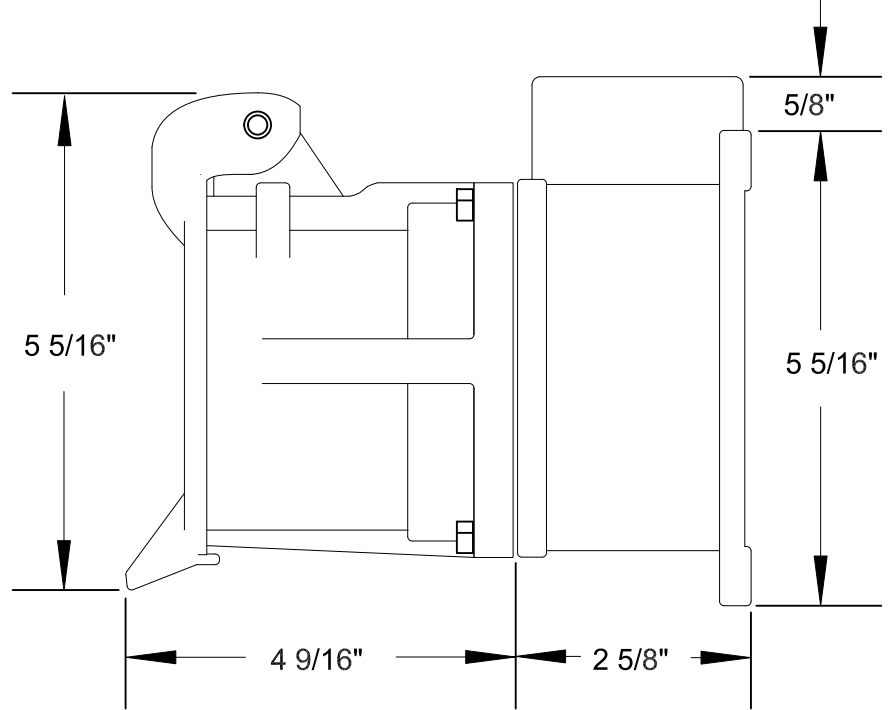
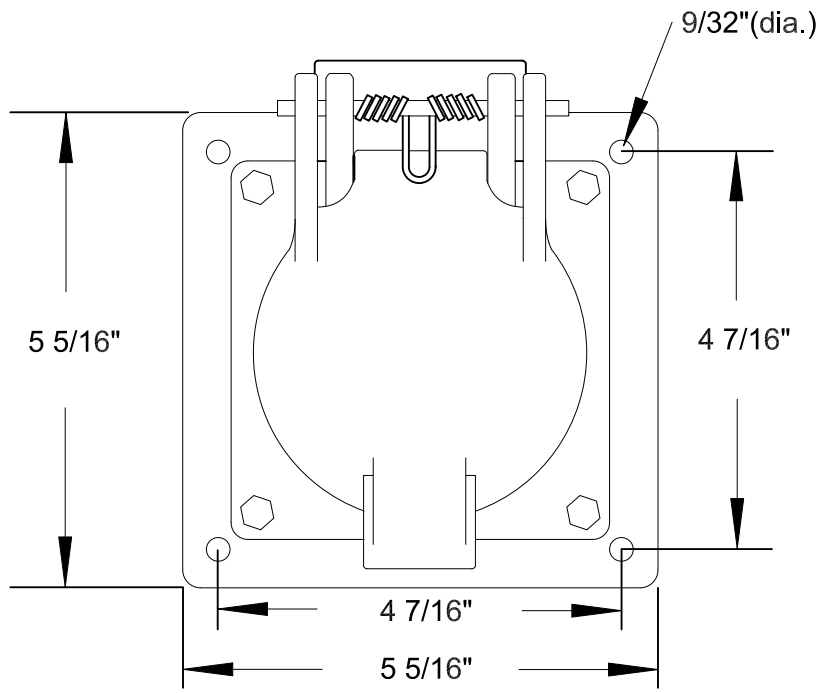


# QUELARC<sup>®</sup> 60 AMP 600 VAC

2 POLE 3 WIRE
PRESSURE CONTACTS
1 1/2" NPT



RECEPTACLE FACE

DRAWING NOT TO SCALE

To order contact:  
**HILLCREST ENTERPRISES, INC.**  
 11092 AIR PARK ROAD  
 ASHLAND, VA 23005 USA

Phone: 804-798-8390  
 Fax: 804-752-7830

<http://www.pylenational.co>  
<http://www.plugs.cc>

DRAWN BY	NVS	HILLCREST ENTERPRISES		
APPROVED	4/14			
ISSUED		<b>JRCA-56036-PR</b>		
RECORD OF ISSUE				
		SCALE	DRG No.	SHEET
				1 OF 1