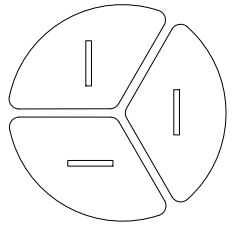
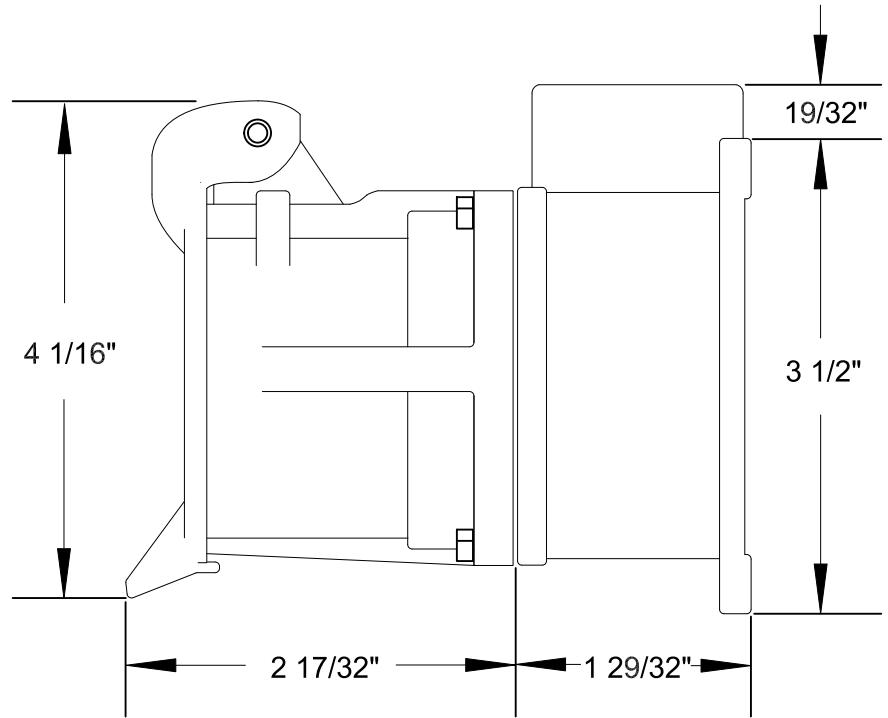
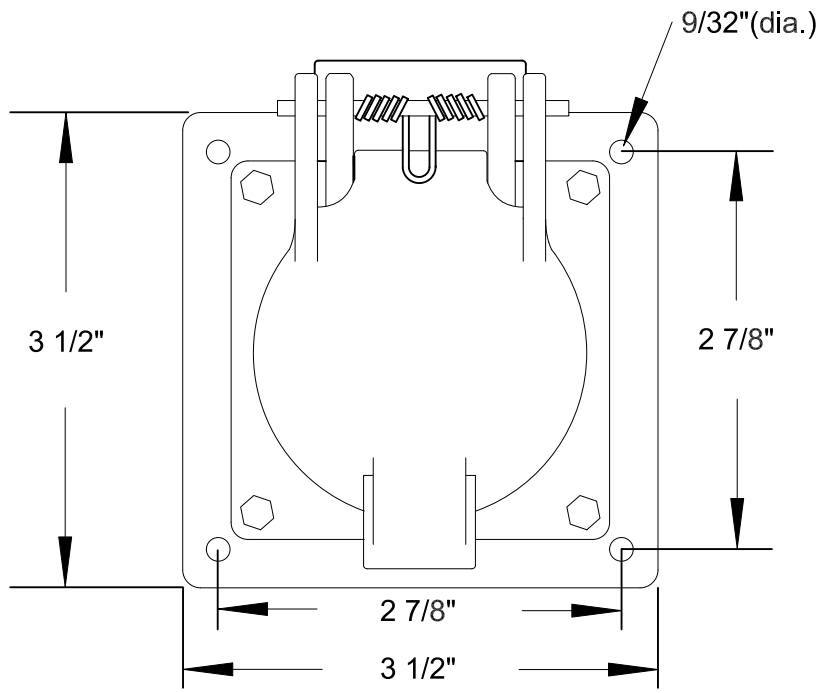


QUELARC[®] 30 AMP 600 VAC

2 POLE 3 WIRE
 PRESSURE CONTACTS
 1/2" NPT



RECEPTACLE FACE

DRAWING NOT TO SCALE

To order contact:
 HILLCREST ENTERPRISES, INC.
 11092 AIR PARK ROAD
 ASHLAND, VA 23005 USA

Phone: 804-798-8390
 Fax: 804-752-7830

<http://www.pylenational.co>
<http://www.plugs.cc>

| | | | | |
|-----------------|------|-----------------------|---------|--------|
| DRAWN BY | NVS | HILLCREST ENTERPRISES | | |
| APPROVED | 4/14 | JRCA-13036-PR | | |
| ISSUED | | | | |
| RECORD OF ISSUE | | SCALE | DRG No. | SHEET |
| | | | | 1 OF 1 |