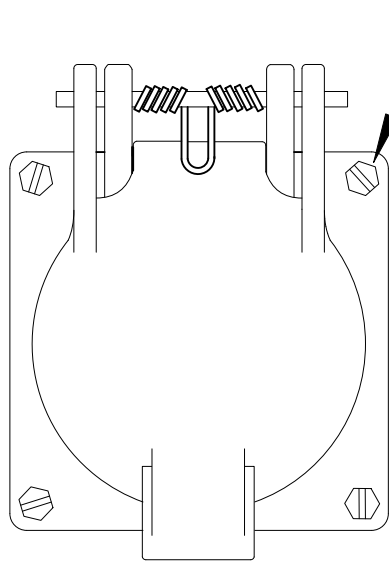
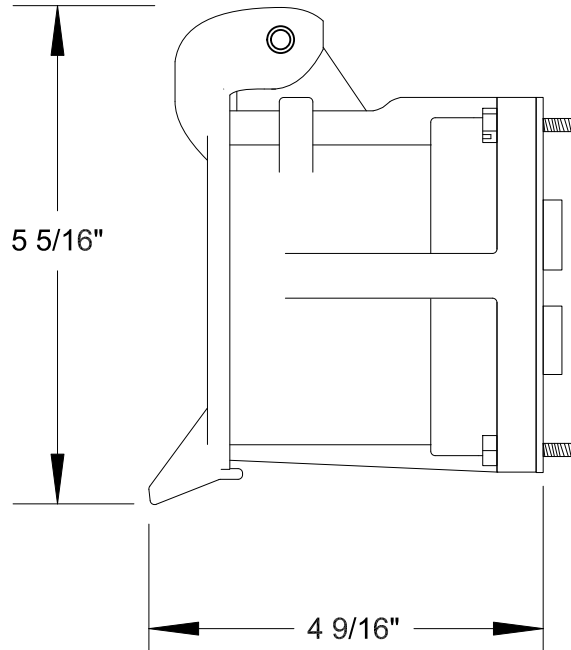


QUELARC[®] 60 AMP 600 VAC

3 POLE 4 WIRE
PRESSURE CONTACTS



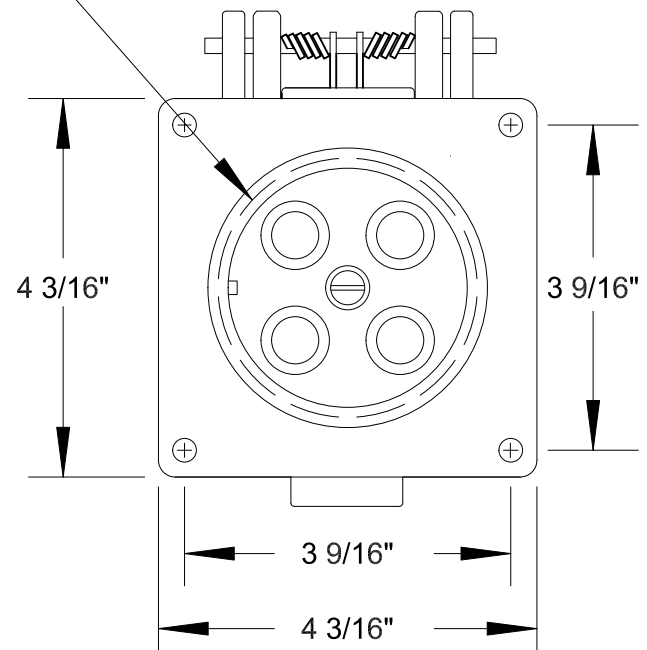
1/4" - 20



5 5/16"

4 9/16"

BORE OF PANEL
3 5/32"

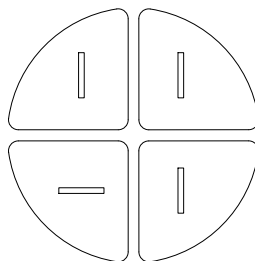


4 3/16"

3 9/16"

3 9/16"

4 3/16"



RECEPTACLE FACE

DRAWING NOT TO SCALE

To order contact:
HILLCREST ENTERPRISES, INC.
11092 AIR PARK ROAD
ASHLAND, VA 23005 USA

Phone: 804-798-8390
Fax: 804-752-7830

<http://www.pylenational.co>
<http://www.plugs.cc>

DRAWN BY NVS

 HILLCREST ENTERPRISES

APPROVED 3/15

JRC-460-PR

ISSUED

RECORD OF ISSUE

SCALE

DRG No.

SHEET

1 OF 1

1

2

3

4

5

1

2

3

4

5

A

B

C

D

A

B

C

D