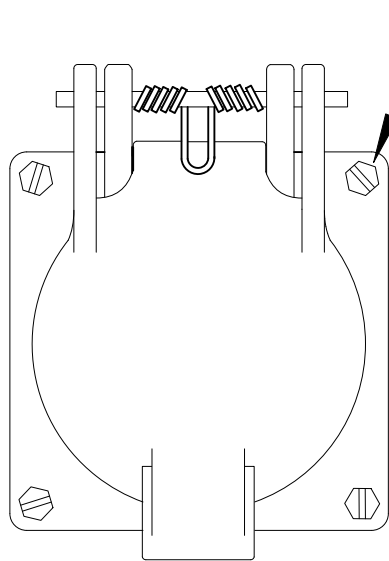
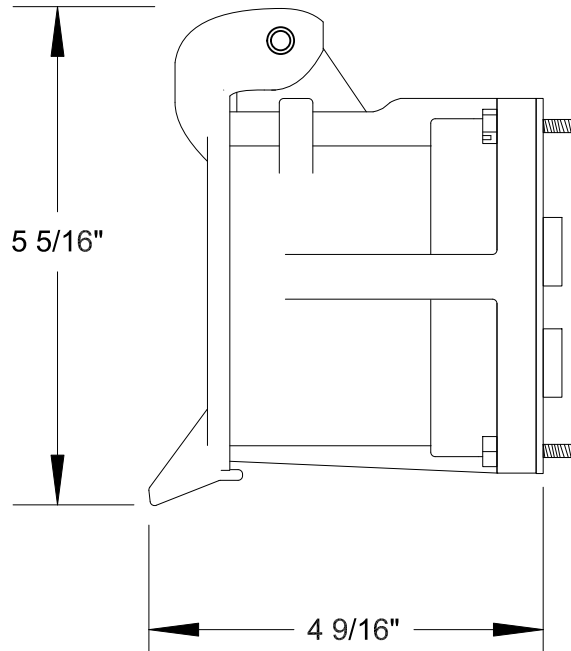


# QUELARC<sup>®</sup> 60 AMP 600 VAC

2 POLE 3 WIRE
SOLDER CONTACTS



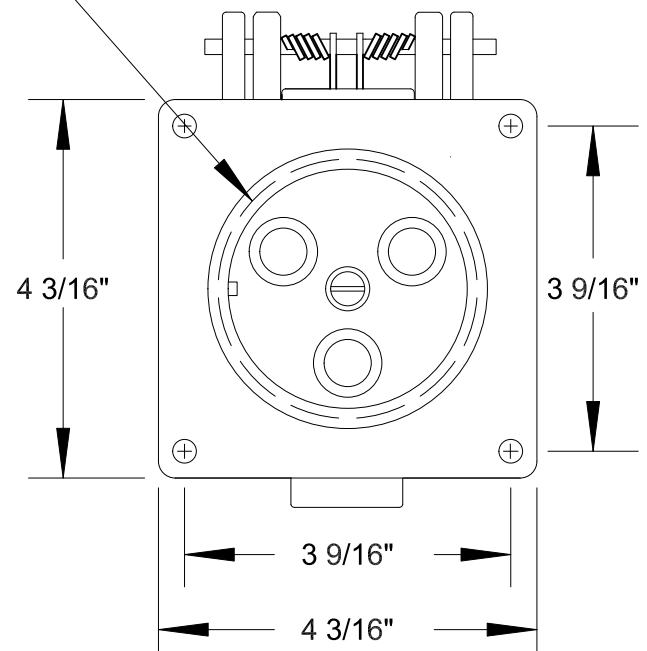
1/4" - 20



5 5/16"

4 9/16"

BORE OF PANEL  
3 5/32"

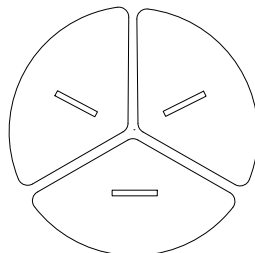


4 3/16"

3 9/16"

3 9/16"

4 3/16"



RECEPTACLE FACE

DRAWING NOT TO SCALE

To order contact:  
**HILLCREST ENTERPRISES, INC.**  
 11092 AIR PARK ROAD  
 ASHLAND, VA 23005 USA

Phone: 804-798-8390  
 Fax: 804-752-7830

<http://www.pylenational.co>  
<http://www.plugs.cc>

DRAWN BY	NVS	HILLCREST ENTERPRISES		
APPROVED	3/15	<b>JRC-360</b>		
ISSUED				
RECORD OF ISSUE		SCALE	DRG No.	SHEET
				1 OF 1